

# Innkeeper 1

## Digital Hybrid



### *Product Overview*

The innkeeper 1 gets audio in and out of telephone lines. Its excellent caller audio does not exhibit the transmit / receive crosstalk common to analog hybrids, making it perfect for radio or television talk shows, teleconferencing, or auto-answer IFB feeds.

A digital hybrid such as the innkeeper 1 connects audio signals to a standard analog telephone line without the variations in quality found with analog hybrids. The main function of a hybrid is to bring in the caller's phone line, as clear and clean as possible. In the real world, when you send your voice down the telephone line it will bleed over into the caller's audio, so the hybrid must adapt to the phone line in order to properly separate transmit and receive audio. We use a 16 bit DSP to monitor the phone line and audio signals continuously in order to deliver excellent separation. Our dual - convergence algorithm can achieve excellent trans - hybrid loss typically exceeding 50 dB, without any setup.

This wouldn't be a JK Audio product without its fill of common-sense features. Check out the front-panel headphone jack and volume control. You can monitor either the send signal, the caller's voice, or a mix of the two. This output is also sent to the rear panel screw terminals so you can easily add a monitor speaker. As a matter of fact, all of the remote features can be found on real screw terminals for ease of installation. And, of course, the audio connections: mic/line switchable XLR input, XLR caller output and an additional, user-defined XLR output. Now press the "Presence" button and you'll get a richer sound from the caller's voice. This digital filter brings back some of the low-end lost in transmission. And possibly the coolest feature: The Innkeeper 1 can be controlled by the Guest Module 1, the optional remote control keypad.

# JK Audio

Telephone Interface Products

815-786-2929

1-800-JK-Audio

[www.jkaudio.com](http://www.jkaudio.com)

# Innkeeper 1r

## Digital Hybrid



The Innkeeper 1r is the 19" rackmount version of the Innkeeper 1. You will find the same features as the desktop version with a physical layout that makes a lot of sense. From the front panel you can control on-hook / off-hook, and adjust headphone volume. Front-panel LEDs display signal levels and option status. The Send and Caller Volume controls are hidden behind an access panel to discourage unauthorized "tweaking". Auto-Answer and Presence switches are also hidden behind the access panel. The mic/line switch is located on the back of the unit, along with all audio and phone line connections.



# JK Audio

Telephone Interface Products

815-786-2929

1-800-JK-Audio

[www.jkaudio.com](http://www.jkaudio.com)

# Innkeeper 1x, 1rx

## Digital Hybrid



*These new versions add features our customers have asked for in an advanced hybrid:*

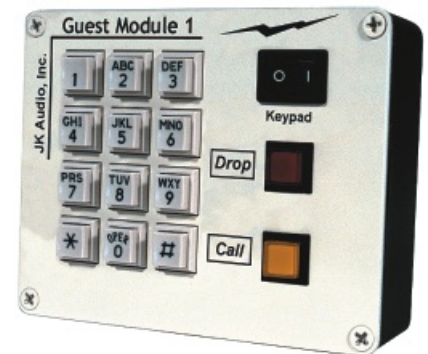
- \***Caller ducking (muting of caller voice when the talent talks)**
- \***AGC - Automatic Gain Control (adjusting level of incoming caller voice)**
- \***1 kHz tone generator (for setting levels, not needed for tuning hybrid)**

## Guest Module 1 Remote Keypad

Guest Module 1 gives you remote access to the on-hook / off-hook and dial features of all our innkeeper digital hybrids. This little time saver gives you call control you simply can't get with an auxiliary telephone and a couple of switches. Connect Guest Module 1 to your innkeeper using an 8 pin Rj45 modular cable. This cable provides remote power so there is no need for batteries or an external power pack. The Call button will flicker when a call comes in. Press this button to answer or place a call. The button will stay lit when a call is present. When you dial on-air, the tones go out on the line, and do not come back mixed with the dial tone or caller signal. Guest Module 1 was designed exclusively for JK Audio innkeeper Digital Hybrids.

**Size: 3.75" x 4.75" x 1.6"**  
(9.6 x 12 x 4 cm)

**Weight: 12 ounces**



- \***DTMF keypad**
- \***Keypad disable seitch**
- \***Talk/Dial Button**
- \***Hangup Button**
- \***Ring/Call LED**

# JK Audio

Telephone Interface Products

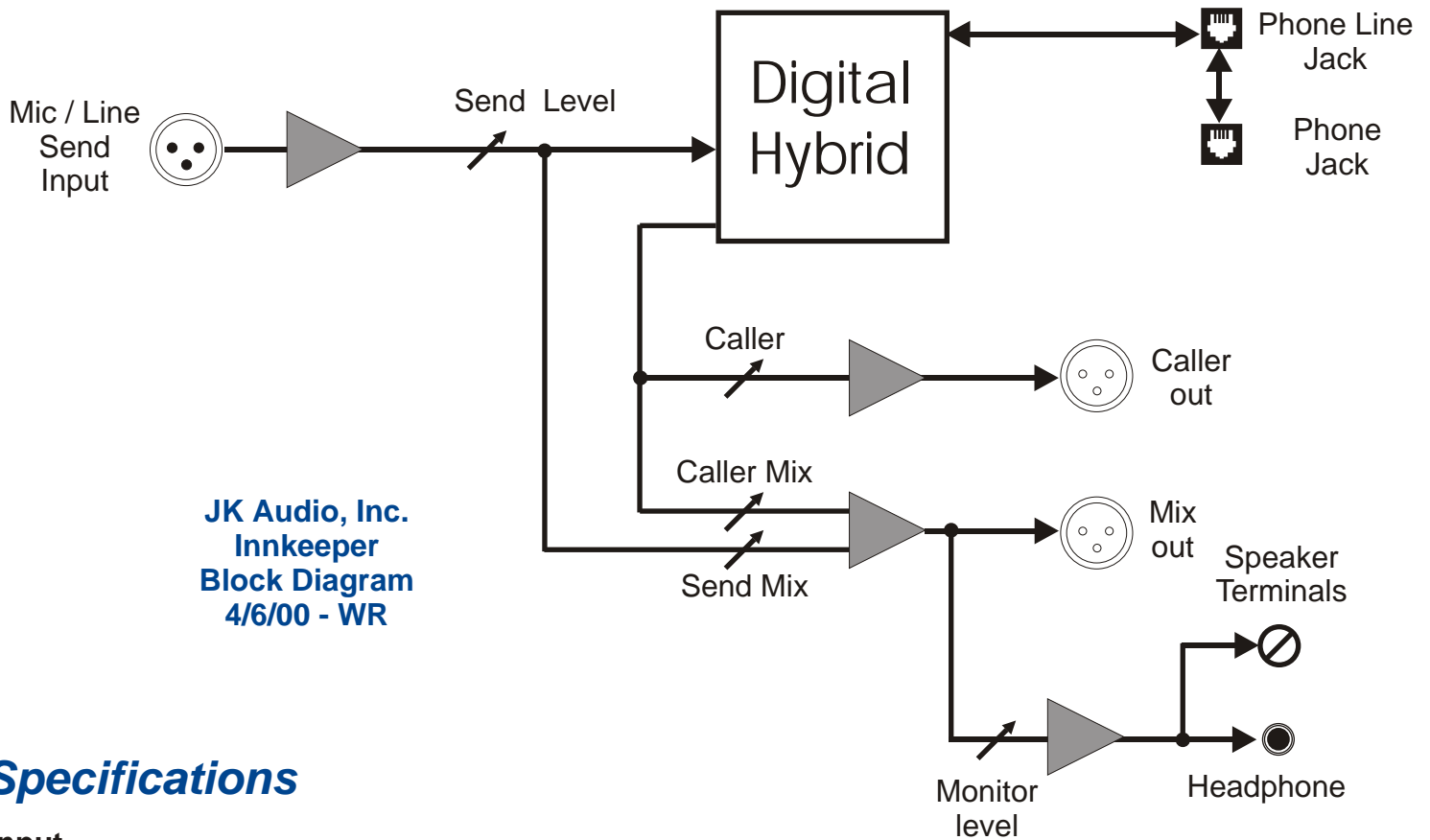
815-786-2929

1-800-JK-Audio

[www.jkaudio.com](http://www.jkaudio.com)

# Innkeeper 1

## Digital Hybrid



## Specifications

<b>Input</b>			
Mic/Line:	Female XLR 1kohm, -10 mV RMS (-35 dBm nom.) Mic/Line pad switch, Line = +5 dBm nominal	Isolation:	1500 VAC
<b>Outputs</b>		Ringer:	0.8B REN
Caller Out:	Male XLR 200 ohms, 500 mV RMS (+ 12 dBm Max.)	Frequency Response, Telephone side:	200 Hz - 3600 Hz
Mix Out:	Male XLR 200 ohms, 500 mV RMS (+12 dBm Max.)	Universal AC Power input:	(120-240 VAC, 50-60 Hz)
Headphone:	1/4" Stereo 8 ohms, 250 mW per ch.	Size: 1, 1x	1.75" x 7.3" 10.5"
Speaker:	Screw Terminals 8 ohms, 1 watt	1r, 1rx	(4.5 x 18.6 x 26.7 cm) 1.75" x 7.3" x 19"
Phone Line Connector:	RJ11C	Weight: 1, 1x	5.2 pounds
		1r, 1rx	5.7 pounds

# JK Audio

Telephone Interface Products

815-786-2929

1-800-JK-Audio

[www.jkaudio.com](http://www.jkaudio.com)