

innkeeper 4

Multi-Line Digital Hybrid



Product Overview

The JK Audio Innkeeper 4 is a unique four line rack mount digital hybrid. Innkeeper 4 contains four independent digital hybrids in a 1U rack space. The front panel keypad, display, and handset jacks provide easy speed dialing and call setup. Innkeeper 4 allows you to send signals into the phone line while maintaining excellent separation between your voice and the caller. The 16 bit Digital Signal Processor (DSP) continuously monitors both the phone line and audio signals to deliver excellent separation. This proprietary, dual-convergence echo canceller algorithm can achieve excellent separation, typically exceeding 50 dB, without any setup and without sending a noise burst down the line. The balanced XLR output jacks contain only the caller's voice.

Operation

This unit will provide the user with four independent digital hybrid channels, each with auto answer capability. The hybrids will work on standard POTS lines only. Innkeeper 4 will not work on "dry pair" lines. The keypad and display will also provide many menu driven functions such as:

- 1 kHz 0dB transmit or receive test tone for equipment setup
- Auto-answer ring count (1-7 rings, or disabled)
- 50 Number memory dialing

An auxiliary telephone jack for each phone line is also provided. The auxiliary telephone is disconnected when you press the "Call" button, and reconnected when you press the "Drop" button.

Innkeeper 4 features Auto-Answer/Auto Disconnect for use in IFB and monitoring applications. Other applications include: telephone interviews, talk shows, church PA interface, and conference room full duplex applications.

JK Audio

Telephone Interface Products

815-786-2929

1-800-JK-Audio

www.jkaudio.com

innkeeper 4

Multi-Line Digital Hybrid

Four Line Digital Hybrid Features:

Excellent separation of send and receive audio
16 bit DSP technology
Proprietary auto null algorithm, 50 dB null
Memory / Speed Dial from phone list
12 key telephone style keypad with alpha-numeric legend
2 line 20 character backlit LCD display
Four cursor buttons and one Enter button next to the display for menu functions.
Auto answer/disconnect

Each phone line includes:

Front Panel

Call Button
Drop Button
OH/Ring LED
One bi-color Transmit LED
One bi-color Receive LED
Auxiliary Handset jack (electret biased)



Rear Panel

One female Send XLR
One male Caller XLR
Line RJ11
Aux RJ11
(relay disconnects aux jack when hybrid is OH)

Additional rear panel features:

One master female Send XLR



10 pin RJ-45 connector
Pin 1 = Ground
Pin 2 = Line 1 OH signal (+5 VDC, 50 mA when active)
Pin 3 = Line 1 control (momentary to ground toggles off/on hook)
Pin 2 = Line 2 OH signal (+5 VDC, 50 mA when active)
Pin 3 = Line 2 control (momentary to ground toggles off/on hook)
Pin 2 = Line 3 OH signal (+5 VDC, 50 mA when active)
Pin 3 = Line 3 control (momentary to ground toggles off/on hook)
Pin 2 = Line 4 OH signal (+5 VDC, 50 mA when active)
Pin 3 = Line 4 control (momentary to ground toggles off/on hook)

Power: 110 ~ 240 VAC

JK Audio

Telephone Interface Products

815-786-2929

1-800-JK-Audio

www.jkaudio.com

innkeeper 4

Multi-Line Digital Hybrid

Specifications

Inputs

Line: (5) Balanced Female XLR
20k ohms, 500 mV RMS (-4dBu) nom.
+10 dBu max

Outputs

Balanced: (4) Balanced male XLR
200 ohms, 500 mV RMS (-4dBu) nom.
+10 dBu max

Handset: (4) Front panel handset jacks biased for electret handset (not included)

Phone Line : (4) RJ11C

Aux Phone: (4) RJ11C

Isolation: 1500 VAC

Ringer: 0.8B REN

Frequency Response: Telephone Side 200 Hz - 3600 Hz

Power: 120-240 VAC, 50-60 Hz power supply (internal).

Size: 19" x 7.3" x 1.75" (26.7 x 18.6 x 4.5 cm)

Weight: 7.2 pounds (3.2kg)

JK Audio

Telephone Interface Products

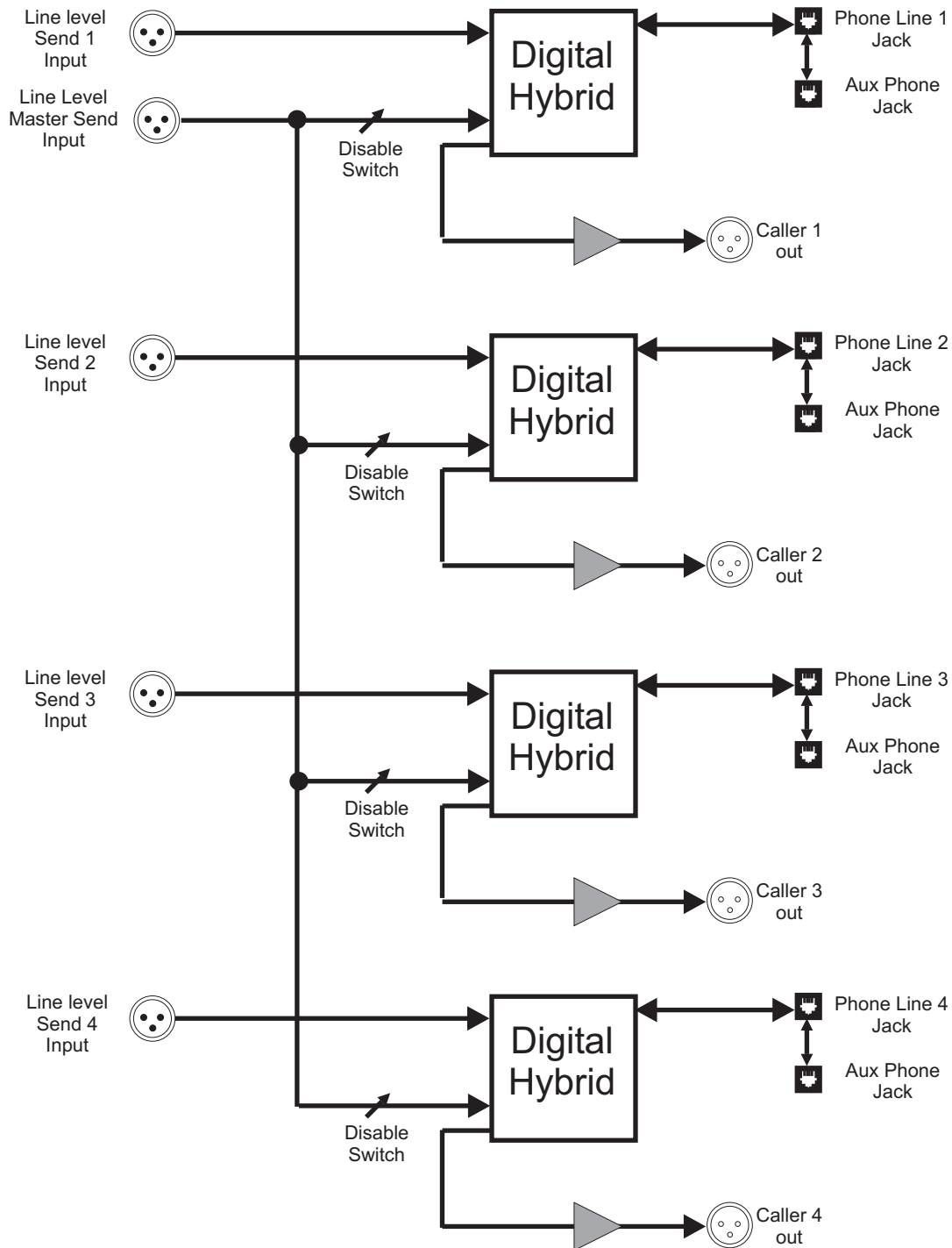
815-786-2929

1-800-JK-Audio

www.jkaudio.com

innkeeper 4

Multi-Line Digital Hybrid



JK Audio, Inc.
Innkeeper 4
Block Diagram
3/03 - WR

JK Audio

Telephone Interface Products

815-786-2929

1-800-JK-Audio

www.jkaudio.com