

Inline Patch

Telephone Audio Interface



Product Overview

This unique hybrid works with your telephone to give you more control over interview recording and playback.

The Inline Patch is a little box that connects between the base of an analog or cordless telephone and the wall jack. You can continue to talk on the phone and get access to audio on both sides of the call. The unit's two back-to-back hybrids give you complete control of audio from both sides of the call. Audio input jacks let you mix sound bytes or music into your conversation. One stereo output jack provides your voice on one channel and the caller's voice on the other channel. A second output jack contains a mix of both voices. Front panel control for each output offers all the control you will need. The Inline Patch not disrupt your Caller ID or ring signals.

For telecom demo or teleconference presentations, you can use a cordless telephone. Walk around the room and talk over the phone while everyone listens in. Let the audience try your IVR application.

For Radio Stations, the Inline Patch can be used as a simple phone-line hybrid coupler. The Off Hook/Norm switch lets you seize a phone line without using a telephone. This switch can be remote-controlled with a simple contact closure.

The Inline Patch is also perfect for television or cable talk show use, when you may need access to audio from a working telephone on camera.

JK Audio

Telephone Interface Products

815-786-2929

1-800-JK-Audio

www.jkaudio.com

Inline Patch

Telephone Audio Interface

Specifications

Input			
Balanced:	Female XLR 1 kohm, 250 mV RMS (-10 dB nom.)	Remote:	1/8" (3.5mm) TRS stereo jack Connect tip to ring to go Off hook
Line:	1/8" (3.5mm) mono mini jack 20 k ohms, 250 mV RMS (-10 dB nom.)	Phone/ Phone Line Connectors:	RJ11C
Outputs		Isolation:	1500 volts
Balanced:	Male XLR 50 ohms, 500 mV RMS (+12 dBm nom)	Voltage:	32 VDC
Stereo:	1/8" (3.5mm) stereo mini jack 50 ohms, 250 mV RMS (+12 dBm max.)	Power:	16 VAC, 160 mA (120 VAC, UL approved Transformer supplied)
Mono:	1/8" (3.5mm) stereo mini jack 50 ohms, 250 mV RMS (+12 dBm max.)	Size:	6" x 4.75" x 1.65" (15.3 x 12.1 x 4.2 cm)
		Weight:	1.6 lbs(w/ power supply)

JK Audio

Telephone Interface Products

815-786-2929

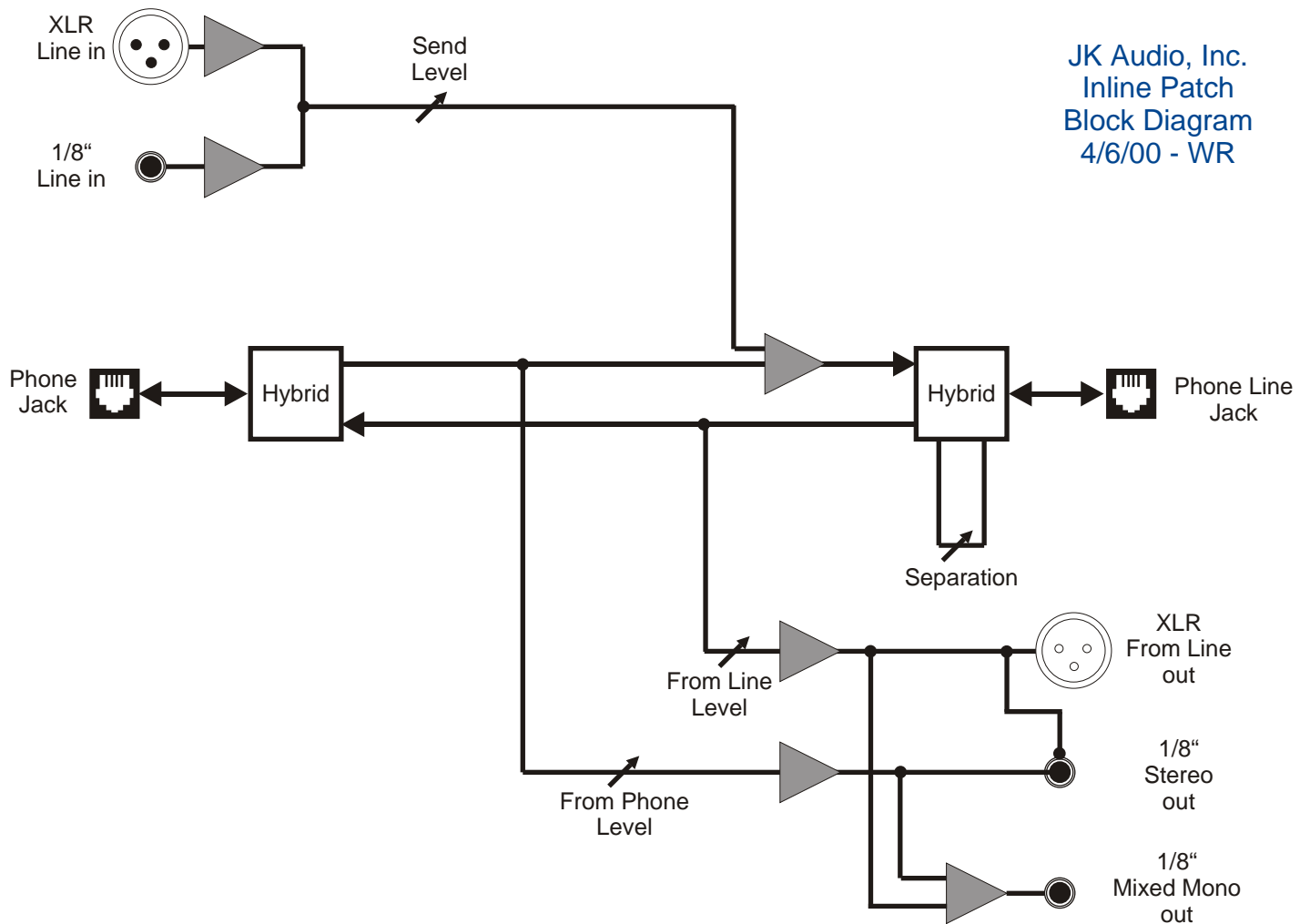
1-800-JK-Audio

www.jkaudio.com

Inline Patch

Telephone Audio Interface

JK Audio, Inc.
Inline Patch
Block Diagram
4/6/00 - WR



JK Audio

Telephone Interface Products

815-786-2929

1-800-JK-Audio

www.jkaudio.com