

# Broadcast Host

## Desktop Digital Hybrid



### *Product Overview*

The JK Audio Broadcast Host is a personal desktop digital hybrid capable of providing talk show quality phone interviews. Broadcast Host allows you to send mic and line level signals into the phone line while maintaining excellent separation between your voice and the caller. The stereo output jack on the back of the unit provides your voice on one channel and only the caller's voice on the other channel. The balanced XLR output jack contains only the caller's voice.

The digital hybrid connects audio signals to a standard analog telephone line without the transmit / receive crosstalk common to analog hybrids. The Digital Signal Processor (DSP) continuously monitors both the phone line and audio signals to deliver excellent separation. This proprietary, dual-convergence echo canceller algorithm can achieve excellent separation, typically exceeding 50 dB, without any setup and without sending a noise burst down the line.

Broadcast Host provides connections for a microphone, headphones, mixer, sound card, telephone and your analog telephone line. An auxiliary telephone is only required to place outgoing calls. The auxiliary telephone is disconnected when you press the "Call" button, and reconnected when you press the "Drop" button.

Broadcast Host features Auto-Answer/Auto Disconnect for use in IFB and monitoring applications. Other applications include: telephone interviews, talk shows, church PA interface, and conference room full duplex applications.

# JK Audio

## Telephone Interface Products

815-786-2929

1-800-JK-Audio

[www.jkaudio.com](http://www.jkaudio.com)

# Broadcast Host

## Desktop Digital Hybrid

### Features

- Transmit female XLR with mic/line switch
- Transmit volume control for XLR (send 1)
- Transmit 3.5mm stereo jack, left channel only, -10dBv input
- Transmit volume control for 3.5 mm mono input (send 2)
- Receive male XLR, +4dBv max output, caller audio only
- Receive volume control for XLR and 3.5 mm right channel
- Dual output 3.5mm stereo jack, left=send mix, right =caller, -10dBv avg. levels.
- Headphone jack, 3.5mm stereo, both sides mixed send and receive.
- Headphone volume control

### Front Panel

- Call Button
- Drop Button
- 3.5 mm headphone jack
- Off-Hook(OH)/Ring LED
- Transmit and Receive LEDs



### Rear Panel

- Female Send XLR with mic/line switch
- Male Caller XLR
- Two 3.5 mm jacks
- Guest Module remote jack
- Auto-Answer switch
- 2.1 mm power jack (9 VDC, center +, regulated)
- Line RJ11
- Aux RJ11 (relay disconnects aux jack when hybrid is OH)



# JK Audio

Telephone Interface Products

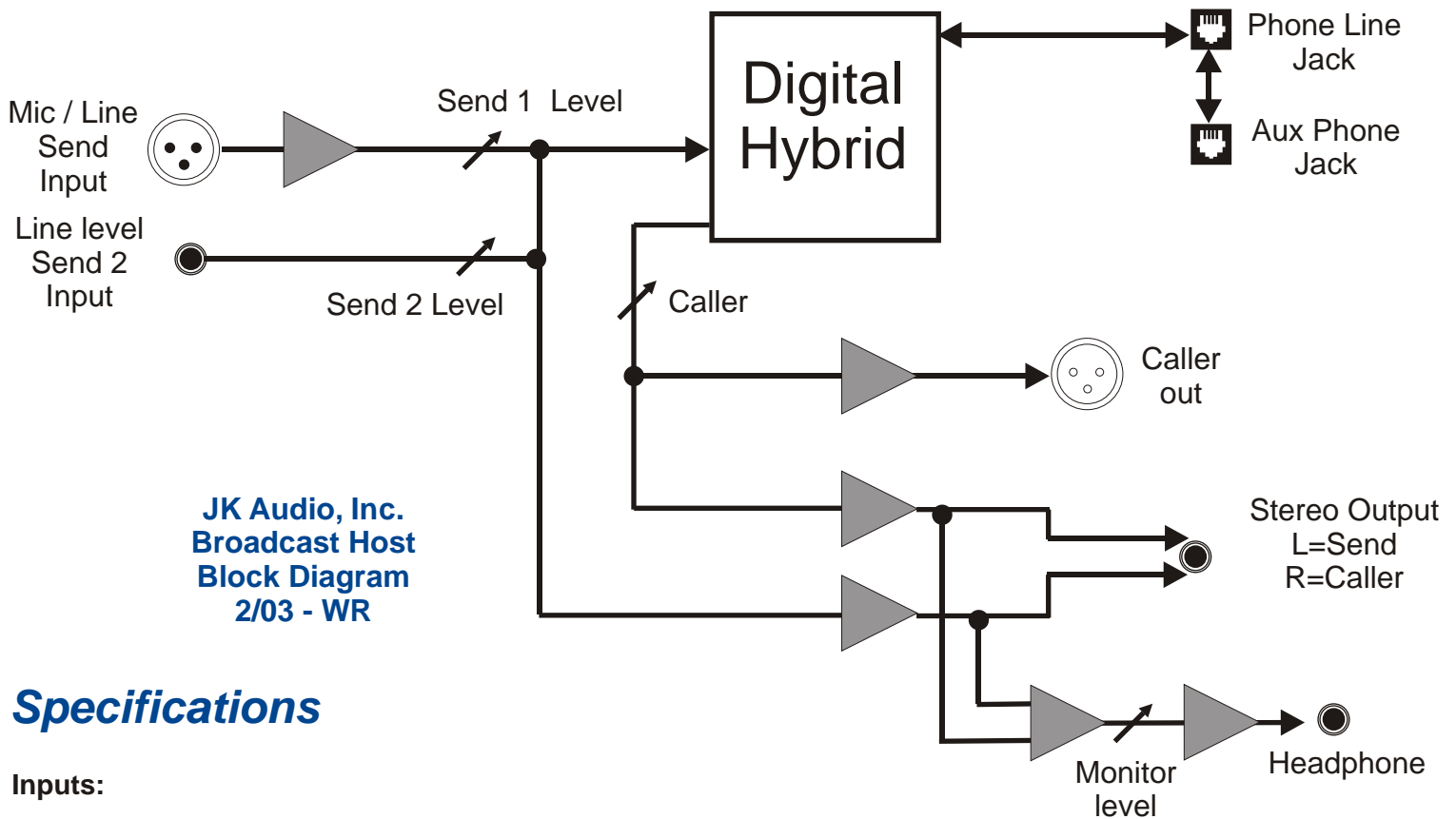
815-786-2929

1-800-JK-Audio

[www.jkaudio.com](http://www.jkaudio.com)

# Broadcast Host

## Desktop Digital Hybrid



## Specifications

### Inputs:

Transmit XLR:	Female XLR Mic/Line pad switch
Transmit 3.5mm:	3.5mm line in, -10dBv RMS input

### Outputs:

Receive XLR:	Male XLR - Caller Audio only + 4 dBv Max output.
3.5mm Out:	Dual output stereo jack, Left channel = Transmit audio only Right channel = Caller audio only -10 dBv
Headphone:	3.5mm stereo mixed send and caller in both channels

Phone Line Connector:	RJ11
Auxiliary Phone Connector:	RJ11
Isolation:	1500 VAC
Ringer:	0.5B REN
Power:	120-240 VAC power supply (included)
Size:	7" x 6" x 1.6" (18 x 15 x 4.2 cm)
Weight:	2.2 pounds

# JK Audio

Telephone Interface Products

815-786-2929

1-800-JK-Audio

[www.jkaudio.com](http://www.jkaudio.com)